

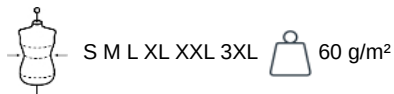
KARIBAN PREMIUM

PK601

Men's lightweight jacket

- Lightweight men's jacket with a casual, urban look.
- The double collar provides extra warmth as well as being stylish.

100% polyamide. Zip fastening with metal zip and press stud collar. Side pockets with press stud fastening. Double collar with inner neckline in 1x1 rib, elasticated cuffs and hem 1x1 rib (97% polyester/ 3% elastane). Hanging loop inside neckline. Tunnelled seam inside sleeves and armholes for a quality finish. Ruffled inner lining at the upper back with a patch for easy decoration access. Personalisation zip inside chest. No brand label, only size tag for easy decoration access.



More information

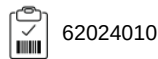
Logistic



Country of origin



Customs code

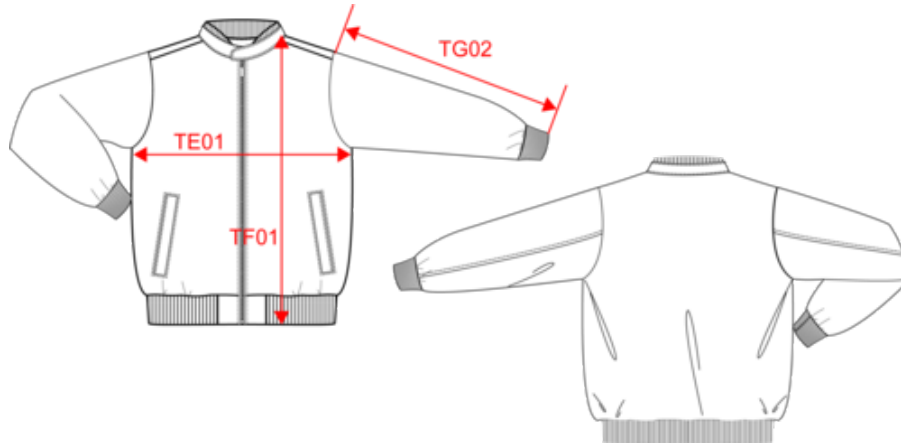


KARIBAN
PREMIUM

PK601

Men's lightweight jacket

Dimensions (cm)



Measurements in cm	S	M	L	XL	XXL	3XL
TE01 - 1/2 chest width at 1.5cm below armhole	55.00	58.00	61.00	64.00	67.00	70.00
TF01 - Total height from HSP	69.00	71.00	73.00	75.00	77.00	79.00
TG02 - Long sleeve length	65.50	66.50	67.50	68.50	69.50	70.50

KARIBAN PREMIUM

PK601

Men's lightweight jacket

Colours information



Black

RVB : 35,35,37
Pantone C : Black
Pantone TCX : 19-4004TCX



Deep Navy

RVB : 34,35,47
Pantone C : 532C
Pantone TCX : 19-3924TCX

Logistic



5



25

Sizes	Width (cm)	Height (cm)	Length (cm)	Net weight (kg)	Gross weight (kg)	Pieces/Box	Pieces/Bundle
S	40.00	22.00	60.00	6.10000	7.20000	25	5
M	40.00	22.00	60.00	6.50000	7.60000	25	5
L	40.00	22.00	60.00	7.00000	8.00000	25	5
XL	40.00	22.00	60.00	7.20000	8.30000	25	5
XXL	40.00	22.00	60.00	7.60000	8.70000	25	5
3XL	40.00	22.00	60.00	8.10000	9.20000	25	5